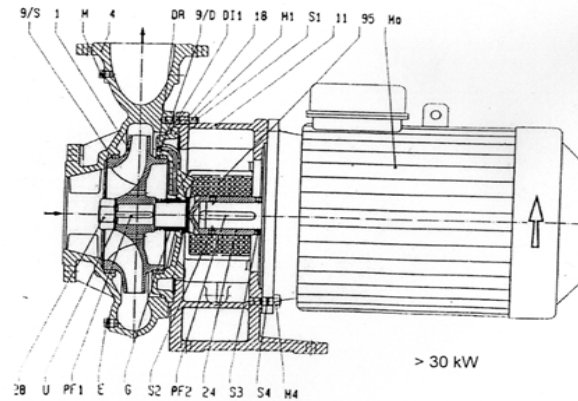


5 - 22 kW



> 30 kW

RIF.-REF.	DESCRIZIONE-DESCRIPTION
1	Girante-Impeller
4	Corpo pompa-Pump casing
9/D	An. usura post.-Rear wear ring
9/S	An. usura ant.-Front wear ring
11	Lanterna-Adaptor
18	Anello di guida - Guide ring
18/M	Flangia intermedia-Intermediate flange
24	Albero-Shaft
28	Dado girante-Impeller nut
80/F	Piede di supporto-Support foot
95	Protezione giunto-Coupling guard
DI 1	Stuffing box cover joint-Guarn. cop. premistoppa
DR	Farfalla-Throttling element
E	Tappo scarico -Drain plug
G	Tenuta mecc.-Mech. Seal
L	Valvola sfiato -Release valve

M	Press. gauge connect-Raccordo manometro
M1	Dado esagonale-Hexagonal nut
M4	Dado esagonale-Hexagonal nut
Mo	Motore-Motor
OR	O-Ring
PF1	Linguetta girante-Impeller Key
PF2	Linguetta motore-Motor key
S1	Prigioniero-Stud bolt
S2	Prigioniero-Stud bolt
S3	Prigioniero-Stud bolt
S4	Prigioniero-Stud bolt
S7	Vite esagonale-Hexagonal screw
S18	Prigioniero-Stud bolt
S19	Vite esagonale-Hexagonal screw
S24	Vite esag. incassato-Hexagon. socket screw
U	Rondella dado girante -Impeller nut washer
U7	Washer-Rondella

DESCRIZIONE/CODICE DESCRIPTION/CODE		1* Girante Impeller	G* Tenuta meccanica Mechanical Seal			OR* O-Ring O-Ring		DI Guarnizione Gasket	Mo Motore Motor	
Materiale / Material		EN-GJL-250	C/SIC/EPDM	C/SIC/FPM	SIC/SIC/FPM	EPDM	FPM	AFM34	Lowara/Marelli	
			STD	Digit 2	Digit W	STD	Digit A	Digit K		
<b>FHS 100-160/220</b>	102227000	182220440	182220000	182220010	182220020	182220090	O/R	182220140	130646447	LM180RB5/3220
<b>FHS 100-160/300</b>	102227010	182220450	182220000	182220010	182220020	182220090	O/R	182220140	130643901	MA-200-B5-30
<b>FHS 100-200/300</b>	102227020	182220460	182220000	182220010	182220020	182220090	O/R	182220140	130643901	MA-200-B5-30
<b>FHS 100-200/370</b>	102227030	182220470	182220000	182220010	182220020	182220090	O/R	182220140	130643911	MA-200-B5-37
<b>FHS4 65-315/75</b>	102227050	182220200	182220000	182220010	182220020	182220080	O/R	-	107106721	LM4132B5/375
<b>FHS4 65-315/110</b>	102227060	182220210	182220000	182220010	182220020	182220080	O/R	-	130643951	MA4-160-B5-11
<b>FHS4 80-315/110</b>	102227070	182220220	182220000	182220010	182220020	182220080	O/R	-	130643951	MA4-160-B5-11
<b>FHS4 80-315/150</b>	102227080	182220230	182220000	182220010	182220020	182220080	O/R	-	130643961	MA4-160-B5-15
<b>FHS4 100-160/30</b>	102227090	182220240	182220000	182220010	182220020	182220090	O/R	-	107106661	LM4100B5/330
<b>FHS4 100-200/40</b>	102227100	182220250	182220000	182220010	182220020	182220090	O/R	-	107106681	LM4112B5/340
<b>FHS4 100-200/55</b>	102227110	182220260	182220000	182220010	182220020	182220090	O/R	-	107106711	LM4132B5/355
<b>FHS4 100-250/75</b>	102227120	182220280	182220000	182220010	182220020	182220100	O/R	-	107106721	LM4132B5/375
<b>FHS4 100-250/110</b>	102227130	182220270	182220000	182220010	182220020	182220100	O/R	-	130643951	MA4-160-B5-11
<b>FHS4 100-315/150</b>	102227140	182220290	182220000	182220010	182220020	182220080	O/R	-	130643961	MA4-160-B5-15
<b>FHS4 100-315/185</b>	102227150	182220300	182220000	182220010	182220020	182220080	O/R	-	130643971	MA4-180-B5-18.5
<b>FHS4 100-315/220</b>	102227160	182220310	182220000	182220010	182220020	182220080	O/R	-	130643981	MA4-180-B5-22
<b>FHS4 125-200/55</b>	102227170	182220320	182220030	182220040	182220050	182220110	O/R	-	107106711	LM4132B5/355
<b>FHS4 125-200/75</b>	102227180	182220330	182220030	182220040	182220050	182220110	O/R	-	107106721	LM4132B5/375
<b>FHS4 125-250/110</b>	102227190	182220340	182220000	182220010	182220020	182220100	O/R	-	130643951	MA4-160-B5-11
<b>FHS4 125-250/150</b>	102227200	182220350	182220000	182220010	182220020	182220100	O/R	-	130643961	MA4-180-B5-18.5
<b>FHS4 125-250/185</b>	102227210	182220360	182220000	182220010	182220020	182220100	O/R	-	130643971	MA4-180-B5-22
<b>FHS4 125-315/220</b>	102227220	182220370	182220030	182220040	182220050	-	-	182220120	130643981	MA4-180-B5-22
<b>FHS4 125-315/300</b>	102227230	182220380	182220030	182220040	182220050	-	-	182220120	130643991	MA4-200-B5-30
<b>FHS4 150-250/150</b>	102227240	182220390	182220030	182220040	182220050	-	-	182220130	130643961	MA4-160-B5-15
<b>FHS4 150-250/185</b>	102227250	182220400	182220030	182220040	182220050	-	-	182220130	130643971	MA4-180-B5-18.5
<b>FHS4 150-250/220</b>	102227260	182220410	182220030	182220040	182220050	-	-	182220130	130643981	MA4-180-B5-22
<b>FHS4 150-250/300</b>	102227270	182220420	182220030	182220040	182220050	-	-	182220130	130643991	MA4-200-B5-30
<b>FHS4 150-315/300</b>	102227280	182220430	182220030	182220040	182220050	-	-	182220120	130643991	MA4-200-B5-30

\* Parti di ricambio consigliate - Recommended spare parts

**O/R = Su richiesta - On Request**

Nota - Note.

Serie FHBS - FHBS Series (cod. 102227400/680):

Versione Girante Bronzo - Impeller Bronze Version :

ordine ricambio girante con descrizione

pls. order spare part impeller through description

**Legenda per I Legenda per Materiale/Legend for Material:**

EN-GJL-250 = Ghisa grigia GG25 - Gray pig iron GG25

C/SIC/EPDM = Carbone/Silicio Carburo/EPDM - Carbon/Silicon carbide/EPDM

C/SIC/FPM =Carbone/Silicio Carburo/FPM - Carbon/Silicon carbide/FPM

SIC/SIC/FPM =Silicio Carburo/Silicio Carburo/FPM - Silicon carbide/Silicon carbide/FPM

EPDM = Etilenpropilene - Ethylenprophylene

FPM = Fluoroelastomero - Fluoroelastomer (VITON®)

AFM34 = Sostanza guarniz. esente amianto corpo pompa - Joint material asbestos free for pump casing

Lowara

